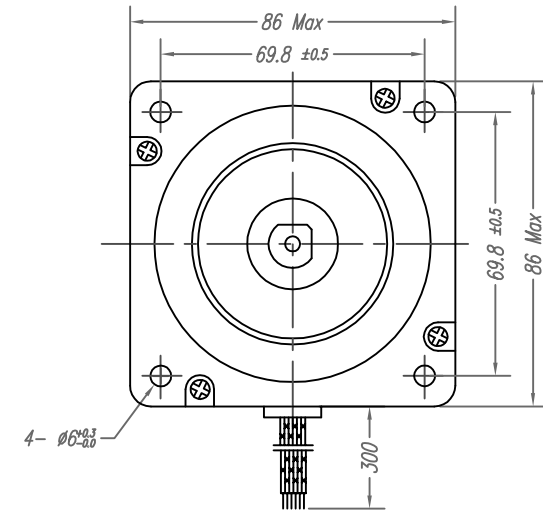
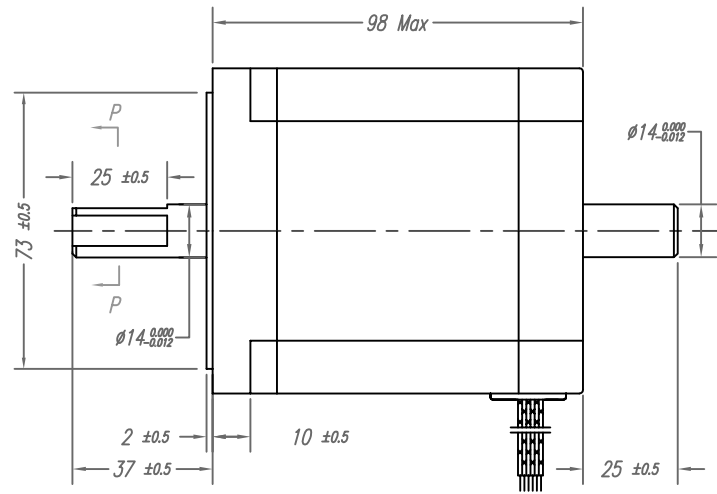
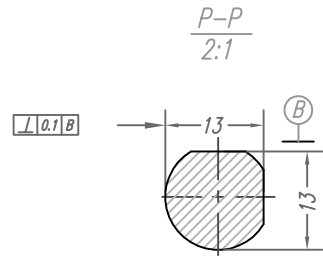


DIMENSIONS

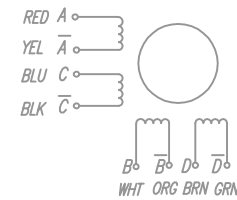


SPECIFICATIONS

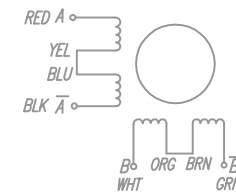
	2 PHASE		
STEP ANGLE	1.8±5%	°/STEP	
DETENT TORQUE	9.5	N.cm Max	
INSULATION CLASS	B		
LEAD STYLE	AWG20 UL1007		
	UNIPOLAR RESP.ONE WINDING	BIPOLAR RESP.BIPOLAR SERIAL	BIPOLAR ONLY PARALLEL
CURRENT	3.53 A/PHASE	2.5 A/PHASE	5.0 A/PHASE
RESISTANCE	1.1 ±10% Ω/PHASE	2.2 ±10% Ω/PHASE	0.55 ±10% Ω
INDUCTANCE	4.7 ±20% mH/PHASE	18.8 ±20% mH/PHASE	4.7 ±20% mH/PHASE
HOLDING TOGQUE	480 N.cm Min	670 N.cm Min	670 N.cm Min

COLORS OF LEAD WIRES BIPOLAR & UNI-POLAR

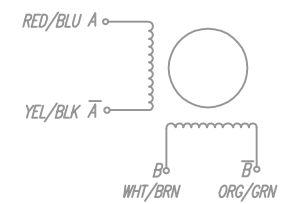
UNIPOLAR RESP.ONE WINDING



BIPOLAR RESP.BIPOLAR SERIAL



BIPOLAR ONLY PARALLEL



DATE 20070106
EDIT A

unit=mm
ESC=2:1



www.machinet.com.ar

34HS6725
(34HS9835-05)

